

TECHNICAL BRIEF

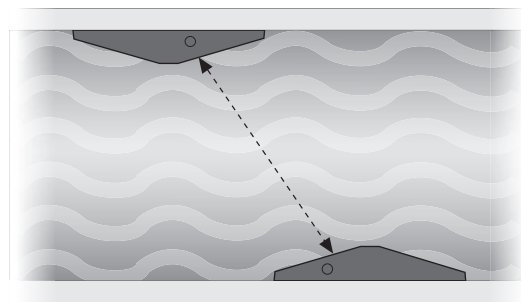
INSTREAM VELOCITY SENSORS

Description:

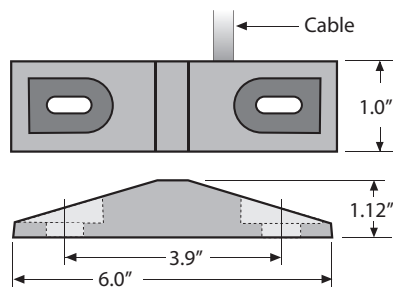
The instream wetted sensors are designed to mount inside of pipes or rectangular channels. There are two styles of instream wetted sensors. The WFF-2 sensor is designed for 12" to 36" inside diameter conduits and the WR-2 sensor is designed for greater than 36" conduits. Both instream sensors may either be mounted to the wall of the conduit or optionally supplied with stainless steel mounting hoops.

Material of Construction:

WFF-2 & WR-2: PVC material
Sensor cable: Triax (Belden 9222) PVC coated
Cable length: 50 feet standard, up to 1000ft maximum.
Temperature: -30° F to 150° F
Max. Pressure: 150 psi



WFF-2 Sensor Dimensions



WR-2 Sensor Dimensions

